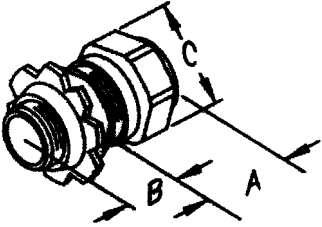


# Steel Compression EMT Connector

## NON-INSULATED

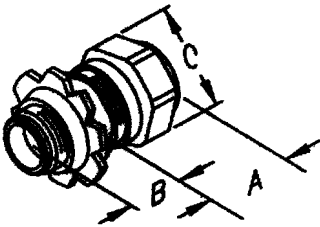
NON INSULATED



PART NUMBER	SIZE	KO SIZE	DIMENSIONS			QUANTITY PER BOX	WEIGHT PER C
			A	B	C		
CC-200	2"	2"	1 1/8"	11/16"	2 3/4"	5	66.8
CC-250	2 1/2"	2 1/2"	1 11/16"	3/4"	3 5/8"	2	176.8
CC-300	3"	3"	1 11/16"	7/8"	4 1/4"	1	234.3
CC-350	3 1/2"	3 1/2"	1 13/16"	15/16"	4 11/16"	1	287.3
CC-400	4"	4"	1 13/16"	15/16"	5 3/16"	1	342.6

## INSULATED

INSULATED



PART NUMBER	SIZE	KO SIZE	DIMENSIONS			QUANTITY PER BOX	WEIGHT PER C
			A	B	C		
CC-200I	2"	2"	1 1/8"	3/4"	2 3/4"	5	67.4
CC-250I	2 1/2"	2 1/2"	1 11/16"	13/16"	3 5/8"	2	178.1
CC-300I	3"	3"	1 11/16"	15/16"	4 1/4"	1	235.7
CC-350I	3 1/2"	3 1/2"	1 13/16"	1"	4 11/16"	1	289.1
CC-400I	4"	4"	1 13/16"	1"	5 3/16"	1	344.9

Materials: Steel

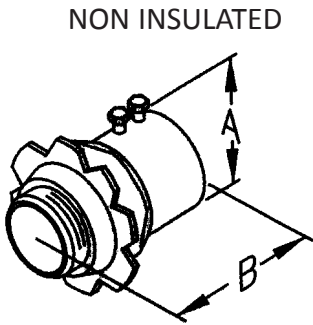


Commercial Fittings, Inc.  
Irving, TX

Distributed exclusively by  
Southwestern Electrical Sales, Inc.  
Irving, Texas 75061  
Toll free: 800-514-0311  
Metro: 972-514-0311  
Fax: 972-513-0319  
Email: Sales@southwestelectricalsales.com

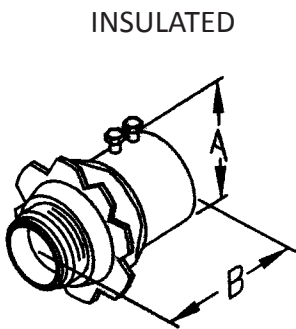
# Steel Set Screw EMT Connector

## NON-INSULATED



PART NUMBER	SIZE	KO SIZE	DIMENSIONS		QUANTITY PER BOX	WEIGHT PER C
			A	B		
SSCP-200	2"	2"	2 <sup>7</sup> / <sub>16</sub> "	2 <sup>3</sup> / <sub>8</sub> "	5	63.6
SSCP-250	2 ½"	2 ½"	3 <sup>1</sup> / <sub>8</sub> "	3 <sup>3</sup> / <sub>16</sub> "	2	130.0
SSCP-300	3"	3"	3 <sup>3</sup> / <sub>4</sub> "	3 <sup>13</sup> / <sub>16</sub> "	1	140.0
SSCP-350	3 ½"	3 ½"	4 <sup>1</sup> / <sub>4</sub> "	4 <sup>5</sup> / <sub>16</sub> "	1	180.0
SSCP-400	4"	4"	4 <sup>3</sup> / <sub>4</sub> "	4 <sup>7</sup> / <sub>8</sub> "	1	225.0

## INSULATED



PART NUMBER	SIZE	KO SIZE	DIMENSIONS		QUANTITY PER BOX	WEIGHT PER C
			A	B		
SSC-200	2"	2"	2 <sup>7</sup> / <sub>16</sub> "	2 <sup>3</sup> / <sub>8</sub> "	5	64.2
SSC-250	2 ½"	2 ½"	3 <sup>1</sup> / <sub>8</sub> "	3 <sup>3</sup> / <sub>16</sub> "	2	131.3
SSC-300	3"	3"	3 <sup>3</sup> / <sub>4</sub> "	3 <sup>13</sup> / <sub>16</sub> "	1	141.4
SSC-350	3 ½"	3 ½"	4 <sup>1</sup> / <sub>4</sub> "	4 <sup>5</sup> / <sub>16</sub> "	1	181.8
SSC-400	4"	4"	4 <sup>3</sup> / <sub>4</sub> "	4 <sup>7</sup> / <sub>8</sub> "	1	227.3

Materials: Steel



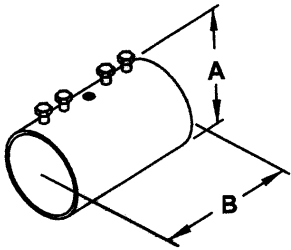
Commercial Fittings, Inc.  
Irving, TX

Distributed exclusively by  
Southwestern Electrical Sales, Inc.  
Irving, Texas 75061  
Toll free: 800-514-0311  
Metro: 972-514-0311  
Fax: 972-513-0319  
Email: Sales@southwesternelectricalsales.com

# Steel EMT

## Compression - Set Screw Couplings

SET SCREW

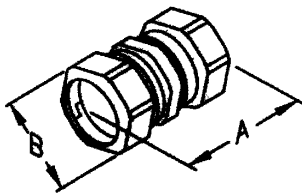


### SET SCREW

PART NUMBER	SIZE	DIMENSIONS		QUANTITY PER BOX	WEIGHT PER C
		A	B		
SSCP-200	2"	2 <sup>7</sup> / <sub>16</sub> "	3 <sup>1</sup> / <sub>4</sub> "	5	64.6
SSCP-250	2 ½"	3 <sup>1</sup> / <sub>8</sub> "	4"	2	130.0
SSCP-300	3"	3 <sup>3</sup> / <sub>4</sub> "	4 <sup>1</sup> / <sub>4</sub> "	1	140.0
SSCP-350	3 ½"	4 <sup>1</sup> / <sub>4</sub> "	4 <sup>1</sup> / <sub>2</sub> "	1	216.6
SSCP-400	4"	4 <sup>3</sup> / <sub>4</sub> "	4 <sup>3</sup> / <sub>4</sub> "	1	250.0

### COMPRESSION

COMPRESSION



PART NUMBER	SIZE	KO SIZE	DIMENSIONS		QUANTITY PER BOX	WEIGHT PER C
			A	B		
CCP-200	2"	2"	2 "	3 <sup>1</sup> / <sub>4</sub> "	5	78.9
CCP-250	2 ½"	2 ½"	3 <sup>1</sup> / <sub>8</sub> "	4"	2	205.5
CCP-300	3"	3"	3 <sup>3</sup> / <sub>4</sub> "	4 <sup>1</sup> / <sub>4</sub> "	1	263.0
CCP-350	3 ½"	3 ½"	4 <sup>1</sup> / <sub>4</sub> "	4 <sup>1</sup> / <sub>2</sub> "	1	309.4
CCP-400	4"	4"	4 <sup>3</sup> / <sub>4</sub> "	4 <sup>3</sup> / <sub>4</sub> "	1	393.4

Materials: Steel



Commercial Fittings, Inc.  
Irving, TX

Distributed exclusively by  
Southwestern Electrical Sales, Inc.  
Irving, Texas 75061  
Toll free: 800-514-0311  
Metro: 972-514-0311  
Fax: 972-513-0319  
Email: Sales@southwestelectricalsales.com